

14

REMOTE DIAGNOSTIC SYSTEM

CONTENTS

14.1	REMOTE DIAGNOSTIC SYSTEM	14 - 2
------	--------------------------------	--------

14.1. REMOTE DIAGNOSTIC SYSTEM

Foreword

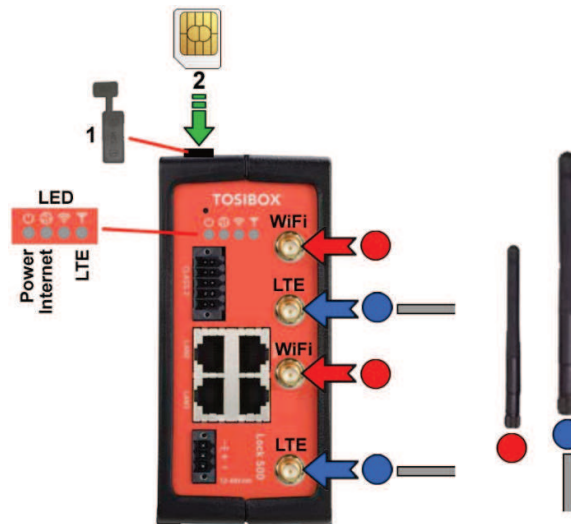
The remote diagnostic system consists of:





The Tosibox Lock 500 is located inside the **[EB1]** panel. The two LTE antennas are located on the side control board of the Power Pack.

Operating instructions

Starting condition → Vehicle off; Tosibox Lock 500 **Power** LED off.



When requesting technical support from Cometto S.p.A.:

- 1) Remove the rubber cap (1).
- 2) Insert the (micro) SIM card in the corresponding slot (2) on Tosibox Lock 500; if necessary, purchase an adapter.
- 3) Enable the vehicle controls:
 - General key  in ON position.
 - Press, for approx. 2 seconds, the button  (INIT).

Power LED on: The system is powered.

Internet and **LTE** LEDs on: SIM successfully recognised.

If the reception signal is low, place one LTE ● antenna vertically and the other one horizontally and move to an area with better coverage.

If the remote diagnostic system cannot be started due to poor signal or poor internet connection, switch to a new network operator and change your SIM card.